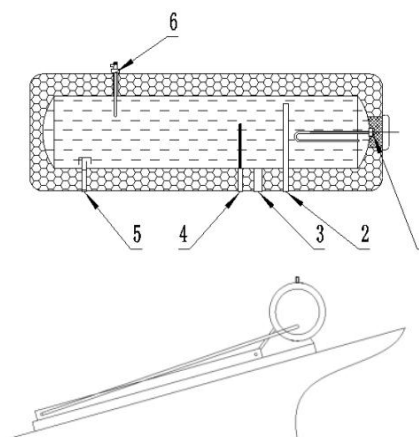
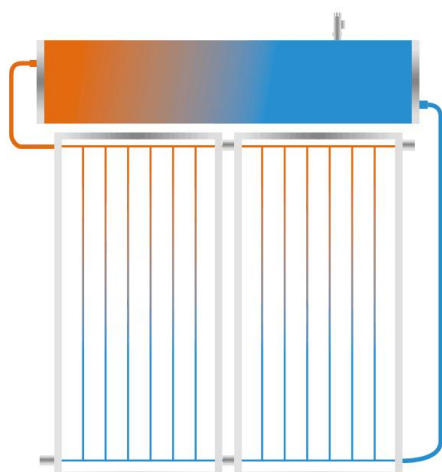


PASSION TECHNOLOGY

Flat Panel Integratived Pressurized Solar Water Heater PTP-BT

Model	PTP-BT-15	PTP-BT-20	PTP-BT-25	PTP-BT-30	PTP-BT-35	
Water Tank	Circulation Type	Indirect/Closed circulation				
	Tank capacity	150L	200L	250L	300L	350L
	Outer tank	Color Steel Plate, 0.4mm Color: A - enamel white , B - silver				
	Inner tank	Stainless steel SUS304-2B, 1.2mm				
	Working pressure	6 bar				
	Test pressure	12 bar				
	T/P valve	1 PC				
	Mag rod	1 PC				
	Electric booster	2KW	2KW	2KW	3KW	3KW
Flat Panel Solar Collector	Dimension	2000 x 1000 x 80mm				
	Overall area	2m ² x 1 PC		2m ² x 2 PCS		
	Absorber material	Aluminum Plate				
	Absorber coating	Anode Oxidation / Black Chrome / Blue Titanium				
	Header pipe	Red copper/ Φ22*0.6*2 PCS				
	Riser pipe	Red copper/ Φ8*0.5*7 PCS/Φ10*0.5*7 PCS				
	Welding	Laser welding/Ultrasonic welding				
	Cover material	Low iron tempered textured glass				
	Frame material	Anodised Aluminium Alloy				
	Insulation	Glass Wool				
Piping connector	Φ22					
Mounting Bracket	Material	Galvanized Steel Plate with plastic spraying, 1.4mm				
	Bracket style	A: Flat roof (20° or 30° or 45°) B: Tilted roof (0°)				



- 1 Electrical heater port (reserved)
- 2 Hot water outlet
- 3 Magnesium port/Drain outlet
- 4 Temperature sensor port
- 5 Cold water inlet
- 6 T/P valve

JIAXING PASSION NEW ENERGY TECHNOLOGY CO., LTD. || www.thermalsolarwaterheater.com

Email: passionsolar@vip.126.com/info@passion-solar.com || Whatsapp: +86 157 5736 4288 / +86 135 1138 8384